



SERVING THE FOOD INDUSTRY SINCE 1951

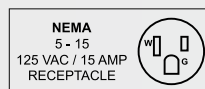
# AURORA 67-INCH REFRIGERATED PIZZA PREP TABLE WITH 2 DOORS

Item: 59043 Model: PT-CN-1829E-HC



## MAIN FEATURES

- ▶ Durable and spacious
- ▶ High quality stainless steel 304
- ▶ CFC free refrigerant and foam
- ▶ Digital temperature controller and LCD display (Carel)
- ▶ Ventilated, automatic defrosting and evaporation of condensation water
- ▶ Adjustable heavy-duty PVC coated shelves
- ▶ Round interior corners for easy cleaning
- ▶ Self-closing doors fitted and durable door lock
- ▶ Castor with brake



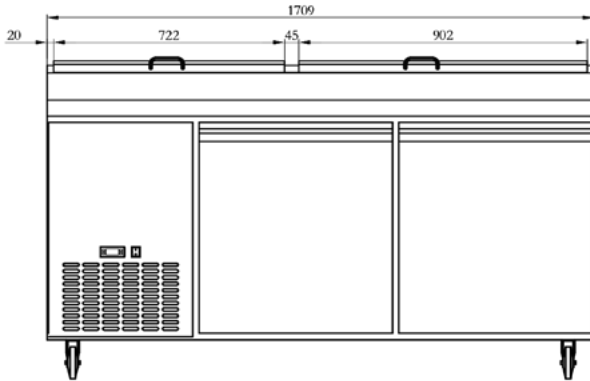
Authorized Dealer

# AURORA 67" REFRIGERATED PIZZA PREP TABLE 2 DOORS

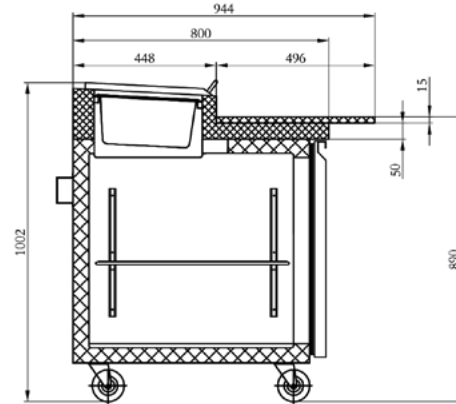


## TECHNICAL DRAWINGS & DIMENSIONS

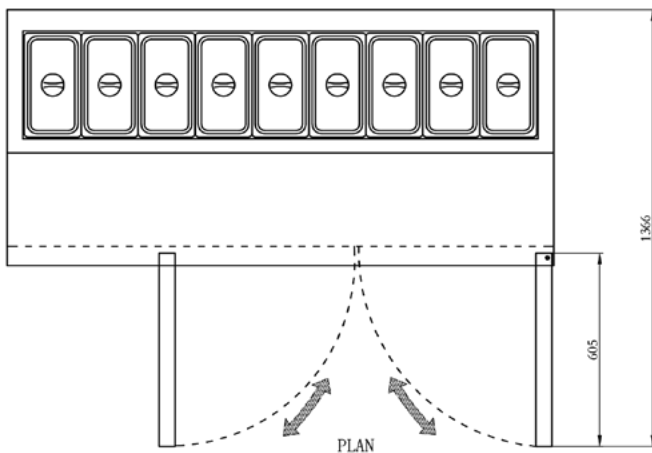
\*measurements in diagrams are in mm



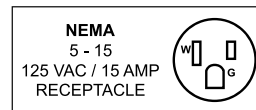
ELEVATION



SECTION VIEW



PLAN



This equipment is intended for indoor environment using where ambient temperature do not exceed **24°C / 75°F** & **55% relative humidity**

### Aurora 67" Refrigerated Pizza Prep Table With 2 Doors

Item Number	59043	Defrosting	Automatic
Model	PT-CN-1829E-HC	Number of Door	2
Net volume	15.6 cu. ft. / 442 L	Number of Inserts	18 x 1/6 pans OR 9 x 1/3 pans
Temperature Range	0.5°C - 4.4°C 33°F - 40°F	Number of Shelves	2
Refrigerant	R290	Shelf Material	Plastic Coated
Electrical	110V / 60Hz / 1Ph	Shelf Loading Capacity	88 lbs / 40 kg
Power	552 W	Exterior Dimensions (WDH)	67.3" x 31.5" x 39.4" / 1709 x 800 x 1002 mm
Current	5.52 A	Interior Dimensions (WDH)	45" x 27.2" x 22.9" / 1143 x 690 x 582 mm
Isolation Material	Cyclopentane	Net Weight	244.7 lbs / 111 kg
Cooling System	Ventilated	Gross Weight	354.9 lbs / 161 kg

## OMCAN INC.

Telephone: 1-800-465-0234

Fax: (905) 607-0234

Email: sales@omcan.com

Website: www.omcan.com

Follow us to keep up to date with the latest news and offers

